

Semco® Model 1250 battery powered dispensing gun



Description

The SEMCO® Model 1250 is a battery powered dispensing gun intended for the application of sealants, adhesives, potting compounds, and other materials packaged in *Semco* cartridges or SEMKIT® Packages. The unit is designed for usage in the aerospace and electronics industries and offers the convenience of a light-weight, powered dispensing solution without the hassle of an air hose. Each unit comes with (2) 12V lithium-ion batteries, a 2.5 oz. threaded plastic retainer, a 6 oz. threaded plastic retainer, a charger base and cord. Charger cords are readily available with electric plugs to fit US, UK, EU or AU outlets.

Recommendations

The *Semco* Model 1250 dispensing gun is designed to be used with materials packaged in *Semco* cartridges with a wiper plunger (WP) ONLY. Typically, pre-mixed and frozen sealants are packaged with a black P-plunger with which this gun is NOT COMPATIBLE. Aerospace sealants supplied in *Semkit* packages are most commonly packaged with a wiper plunger (WP), which is what this gun is specifically designed for. Additional retainers for this unit must be purchased separately.

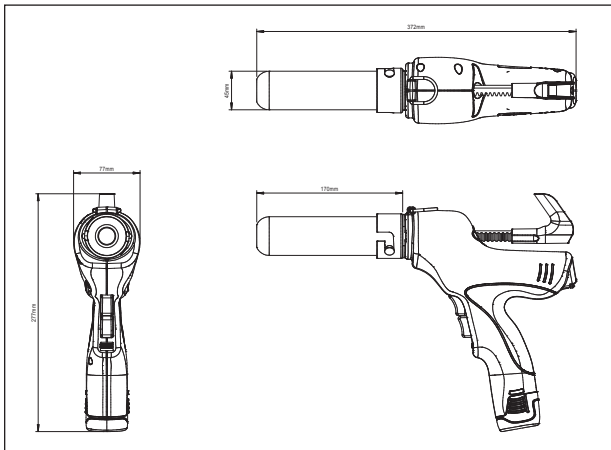
Accessories

PPG's aerospace business provides precision molded *Semco* brand cartridges, plungers, nozzles, sem-luer adapters, and sem-needles. When these accessories are used in conjunction with the *Semco* Model 1250 dispensing gun, the exact amount of material can be dispensed at the precise location required.

Features

- Light-weight (less than 3 lbs)
- Ergonomic design – optimizes the weight balance in operators' hands
- Improved portability, no air hose required
- 60 minutes to completely charge 12V lithium-ion battery
- Fully charged battery can dispense between 50 and 60 six ounce *Semco* cartridges
- Variable dispensing speed control on rear of gun from 1 (low) to 9 (high)
- 2.2 (kN) stall force

Semco® Model 1250 battery powered dispensing gun



Operation

Before using the *Semco* Model 1250 dispensing gun, operators will be required to charge the 12v lithium-ion battery for the recommended 60 minutes. Remove the battery from the charger and insert into the bottom of the dispensing gun handle (see #1) until it clicks, indicating the battery is fully-seated. Adjust the dispensing dial on the rear of the gun (see #2) to the preferred dispensing speed 1-9 (1 = slowest, 9 = fastest). Completely depress the top trigger on the handle (see #3) with one hand and pull the push-rod (see #4) all the way to the back of the dispensing gun with the other hand. Insert *Semco* cartridge into the retainer (see #7), affix desired nozzle, and insert the loaded retainer onto the dispensing gun (at #5), rotating clockwise. To begin dispensing, completely depress the bottom trigger on the handle (see #6). When all of the material has been dispensed from the cartridge, depress the top trigger (see #3), and turn the retainer counterclockwise which releases the retainer from the dispensing gun. Remove the nozzle and the disposable cartridge. Dispose of leftover material in accordance with local regulations and instructions on the Safety Data Sheet (SDS).

Part Number	Description
235300	Model #1250 US battery dispensing tool
235301	Model #1250 EU battery dispensing tool
235302	Model #1250 UK battery dispensing tool
235303	Model #1250 AU battery dispensing tool
235311	Battery, spare 12V
235312	Charger w/US cord
235313	Charger w/EU cord
235314	Charger w/UK cord
235315	Charger w/AU cord
229779	2.5 oz. Nylon Retainer, Black
229780	6 oz. Nylon Retainer, Black
235310	Drive rod handle
235309	Drive rod, 6 oz.
235308	Drive rod, 2.5 oz.
235307	Cartridge nut
235306	Retainer mount w/pin
235305	Screw, 10-24
235304	Piston with screw

Semco and Semkit are trademarks of PRC-DeSoto International Inc., registered with the U.S. Patent Office.

All recommendations, statements, and technical data contained herein are based on tests we believe to be reliable and correct, but accuracy and completeness of said tests are not guaranteed and are not to be construed as a warranty, either expressed or implied. User shall rely on his own information and tests to determine suitability of the product for the intended use and assumes all risks and liability resulting from his use of the product. Seller's and manufacturer's sole responsibility shall be to replace that portion of the product of this manufacturer which proves to be defective. Neither seller nor manufacturer shall be liable to the buyer or any third person for any injury, loss, or damage directly or indirectly resulting from use of, or inability to use, the product. Recommendations or statements other than those contained in a written agreement signed by an officer of the manufacturer shall not be binding upon the manufacturer or seller.

Printed in the U.S.A

PRC-DeSoto International, Inc.
12780 San Fernando Road
Sylmar, CA 91342
Telephone (818) 362-6711
Toll Free (800) AEROMIX
www.ppgaerospace.com

Issue Date: 06/18
Supersedes: 03/18
Lit: 4404